



# **HD UNIVERSAL**

---

Scart w/ S-video to HDMI **1080** Uitimate

Scart w/ S-video & Stereo audio  
to HDMI 1080 Adapter

## **USER MANUAL**

## **ATTENTION**

Thank you for purchasing Coosis product. Please read this manual carefully before using, which will ensure correct installation and uses. Please keep this manual for future reference. Coosis Limited reserves the right to make changes in the hardware, packaging and any accompanying documentation without prior written notice.

## **IMPORTANT SAFETY INFORMATION**

The Scart w/ S-video & Stereo audio to HDMI 1080 Adapter ("Product") has been tested for conformance to safety regulations and requirements, and has been certified for international use. However, like all electronic equipments, the Product should be used with care. Read the following safety instructions to protect yourself from possible injury and to minimize the risk of damage to the unit.

- Do not dismantle the housing or modify the module.
- Dismantling the housing or modifying the module may result in electrical shock or burn.
- Refer all servicing to qualified service personnel.
- Do not attempt to service this product yourself as opening or removing housing may expose you to dangerous voltage or other hazards
- Keep the module away from liquids.
- Spillage into the housing may result in fire, electrical shock, or equipment damage. If an object or liquid falls or spills on to the housing, unplug the module immediately.
- Have the module checked by a qualified service engineer before using it again.
- Do not use liquid or aerosol cleaners to clean this unit. Always unplug the power to the device before cleaning.

**© 2007 Coosis Limited All Rights Reserved**

The contents of this document are provided in connection with Coosis Ltd. ( "Coosis" ) products. Coosis makes no representations or warranties with respect to the accuracy or completeness of the contents of this publication and reserves the right to make changes to specifications and product descriptions at any time without notice. No license, whether express, implied, or otherwise, to any intellectual property rights is granted by this publication. Except as set forth in Coosis Standard Terms and Conditions of Sale, Coosis assumes no liability whatsoever, and disclaims any express or implied warranty, relating to its products including, but not limited to, the implied warranty of merchantability, fitness for a particular purpose, or infringement of any intellectual property right.

Reproduction of this manual, or parts thereof, in any form, without the express written permission of Coosis Ltd. is strictly prohibited.

## Table of contents

1. Introduction
2. Package Contents
3. Before Installation
4. Panel Description
5. Remote Control Description
6. Installation
7. General Troubleshooting and FAQ
8. Specifications

## 1. Introduction

Coosis Scart w/ S-video & Stereo audio to HDMI 1080 Adapter provides a really easy way to convert and upscale analog audio and video signals to digital HDMI format at 1080p. With the converter, Scart and S-video devices such as DVD players, PS3, camcorders, set-top-boxes or PC can connect to HDTV or HD projector with low signal loss, to help you enjoying Full HD pictures on your display. The embedded S-video / Scart selector switches between S-video and Scart output sources. This convert provides 4 output resolutions (1080p, 720p, 1680x1050 and 1360X768) and 4 screen models (16:9, 16:10, Expand and Subtitle) to meet different display requirements. Perfect working with HD ready TV, general displays and Sky box, Virgin box and any other TV box; PS2, PS3, XBOX, XBOX360, WII, NGC, DC and any other game console; VCD & DVD player, and Blu-Ray player;

- **HDMI 1.3 compatible:** Plug & Play, no driver required;
- **One S-video video input:** supports PAL(576i), NTSC(480i);
- **Stereo L/R analog audio input** for sending audio signal to incorporate with S-video signal and through HDMI out;
- **One Scart (RGB or Composite) video input:** supports CVBS (PAL, NTSC), Y/C (PAL, NTSC), RGB (480i, 576i); while the Scart audio is incorporated into HDMI out;
- **One HDMI video&audio output:** supports 1920X1080,1680X1050, 1360X768 and 1280X720 display resolutions at 60Hz vertical rate;
- **S-video / Scart selector** on front panel switches between S-video or Scart input;
- **Screen model selector** on front panel switches among 4:3, 16:9, Expand(16:10) and Subtitle (2.35:1) models;
- **Stereo L/R analog audio output** for separate speakers or earphone
- **Front panel LED indicators**
- **Remote Control** to select appropriate input signal, display resolution and screen model.

## 2 . Package Contents

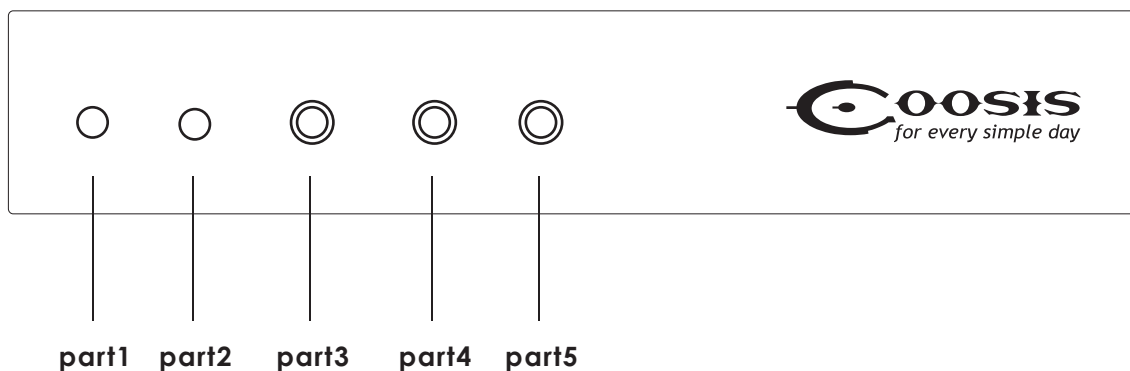
- 1 X Coosis Scart w/ S-video & Stereo audio to HDMI 1080 Adapter
- 1 X Power Adapter (+5VDC, 2A)
- 1 X Remote Control
- 1 X User Manual

## 3 . Before Installation

- Put the product in an even and stable location. If the product falls down or drops, it may cause an injury or malfunction.
- Don't place the product in too high temperature (over 60°C), too low temperature (under 0°C) or high humidity.
- Use the DC power adapter with correct specifications. If inappropriate power supply is used then it may cause a fire.

## 4 . Panel Description

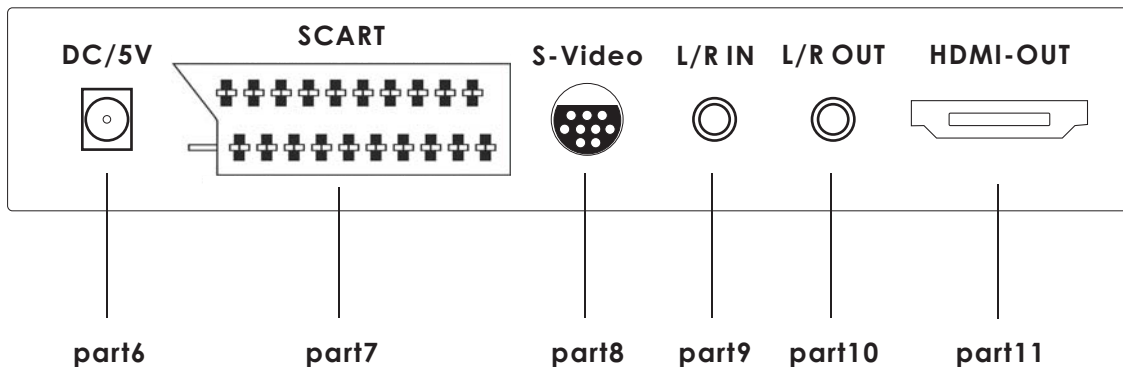
### Front Pane



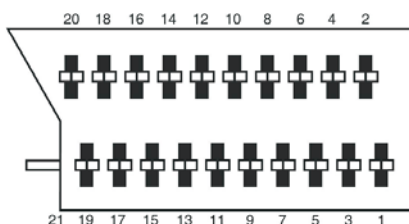
part 1	On/Off indicator
part 2	Remote receiver
part 3	Menu button & "Enter" option in screen menu
part 4	S-Video / Scart input selector & "Up" option in screen menu
part 5	Screen model selector & "Down" option in screen menu

## 4 . Panel Description (cont.)

### Rear Panel

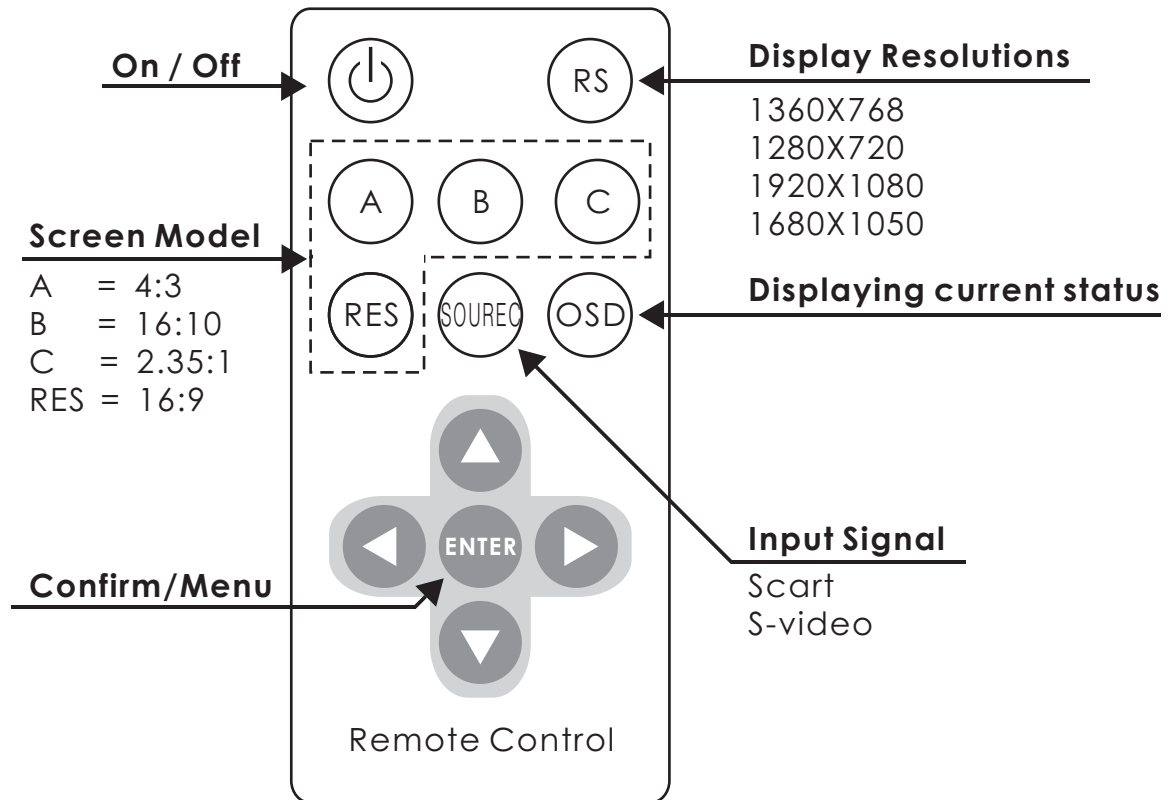


part 6	Power connector
part 7	Scart input
part 8	S-Video input
part 9	3.5mm Stereo L/R analog audio input
part 10	3.5mm Stereo L/R analog audio output
part 11	HDMI output



1. Audio Output 1, Right Channel
2. Audio Input 1, Right Channel
3. Audio Output 2, Left Channel
4. GND    5. GND
6. Audio Input 2, Left Channel
7. RGB Blue Input    8. Bypass
9. GND    10. Bypass
11. RGB Green Input    12. Bypass
13. GND    14. GND
15. Chroma or Red Input
16. Bypass (fast blanking)
17. GND    18. GND    19. Video Output
20. Video Input    21. GND/Shield

## 5 . Remote Control Description



## 6 . Installation

To setup Scart w/ S-video & Stereo audio to HDMI 1080 Adapter, please follow below steps to install.

- 1) Power off display and display sources such as HDTV/Monitor/DVD player etc
- 2) Connect your Scart source to Scart input Jack;
- 3) Connect your S-video source to S-video input Jack;
- 3) Connect Stereo Audio source to 3.5mm L/R input Jack;
- 4) Connect HDMI cable to the converter at HDMI output Jack;
- 5) Connect other end of HDMI cable to HDMI input of display;
- 6) Plug in 5V DC power cord to power DV/5V Jack of the converter
- 7) Power on the converter
- 8) Power on Scart/S-video sources and display with HDMI input.

## 7. General Troubleshooting and FAQ

Problem	Possible Solution
No image	✓ Check if connection to the source and the display are correct. ✓ Ensure that display device supports 480p, 720p and 1080i resolution.
Screen Defects Appear	✓ Check the HDMI connection ✓ If outputting from a PC. Check the maximum resolution range of the graphics card.

## 8. Specifications:

### Scart input supports

CVBS (PAL, NTSC)

Y/C (PAL, NTSC)

RGB (480i, 576i)

(with Scart audio-in)

### S-video input supports

PAL(576i)

NTSC(480i)

### HDMI video output supports:

1920X1080/60Hz

1680X1050/60Hz

1360X768/60Hz

1280X720/60Hz

(with digital audio)

**C**oosis